



TRUCK COOLER FAN



GANDHI
Automations Pvt Ltd

India's **No.1** Entrance Automation & Loading Bay Equipment Company

Truck Cooler Fan with LED Loading Dock Light



Not only increase safety and productivity but also make the workers more comfortable by controlling temperature inside a trailer.

Built to improve airflow and illuminate a variety of applications, the Dock Light is a premium solution for loading docks, production facilities, auto shops, machine rooms, and even railcar loading platforms.

Rugged and Compact Housing

The light head's polycarbonate housing resists impact damage from forklifts or in-coming trailers, lowering maintenance costs and minimizing the risk of downtime or interruptions in the cargo handling process.

Continuous Quality Light

The LED light's intensity exceeds a 600-watt incandescent bulb, but uses only 100 watts to emit a cool white light. The constant-current IP66 LED driver is rated for 100,000 hours of operation at 77° F.

Improve lighting and ventilation at the loading dock

The LED Dock Light Fan provides a safe and comfortable working environment for dock personnel.

Powerful Ventilation and Cooling Solution

The heavy-duty, three-speed fan can move over 2800 CFM of air per minute, keeping the loading bay personnel cool on hot summer days.

Rugged Flexibility

The Dock Light Fan can be easily mounted in a convenient location. The durable design and construction ensure product longevity and reduce maintenance costs. Available arm lengths are 56" (1425mm).

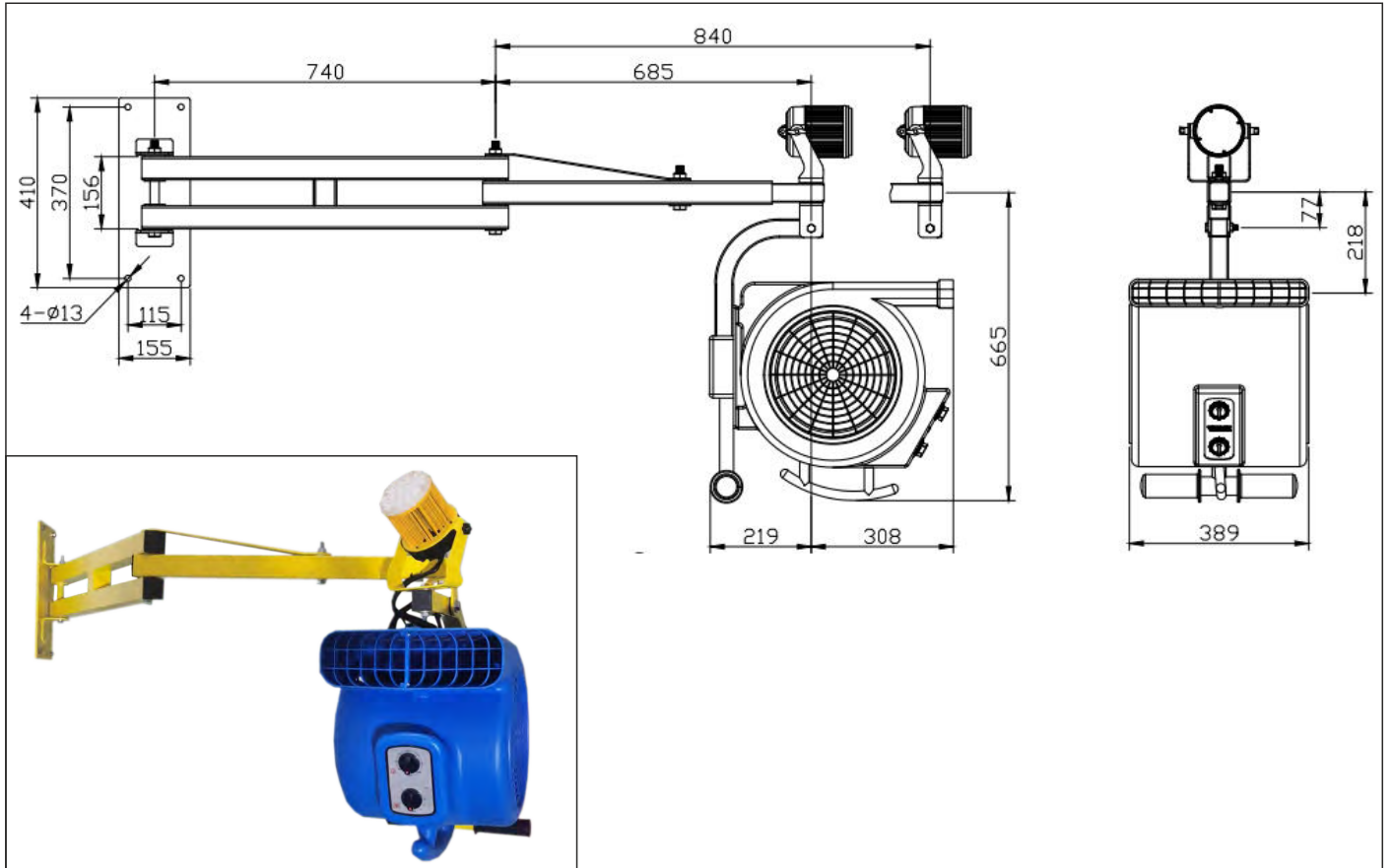
Build Your Lighting Solution

Enhance fan performance with a lamp head assembly, and shine light anywhere it's needed. Lamp head choices include metal, 5 Beam Angle Optical System, and bracket and 100W led Light

Optional Motion Sensing Technology Automatic Light ON/OFF

The motion sensor senses when a forklift or person is leaving a trailer and auto-matically dims the light to 25% output, restoring to full power after a few seconds.

Technical Drawing



LED Light

Power	Light Source	CRI	CCT	Beam Angle	Light Flux	Light Adjust Angle	Motion Sensing Technology
100 Watt	Bridgelux	80+	5000K	10/25/45/70/95	180,000lm	360 degree	Variable auto-off timer up to 180 minutes

Fan

Power	Voltage	Speed
900 Watt	230 volt/50Hz	2000/2600/2800 CFM



STAR EXPORT HOUSE
(Government of India Recognised)



Gandhi Automations operates a policy of continuous development and reserves the right to make technical modifications / replacements without prior notice.

GANDHI

Automations Pvt Ltd

India's No.1 Entrance Automation & Loading Bay Equipment Company

CORPORATE OFFICE

Chawda Commercial Centre, Link Road, Malad (W), Mumbai-400064, India

Tel : +91 22 6672 0200 / 6672 0300 (200 Lines)

Fax : +91 22 6672 0201

Email : sales@geapl.com

Website: www.geapl.com



TOLL FREE

1800 209 0200

From Anywhere in India

Ahmedabad - 93273 01555
 Bengaluru - 93435 09090
 Bhopal - 93292 94939
 Bhubaneswar - 93385 69889
 Chandigarh - 93176 41324
 Chennai - 93809 31777
 Coimbatore - 93452 99944
 Goa - 93731 37970
 Guwahati - 93248 98159

Hyderabad - 93473 75737
 Indore - 93034 64410
 Jaipur - 93520 41024
 Jamshedpur - 93219 76556
 Kochi - 93882 04774
 Kolkata - 93300 60855
 Lucknow - 93055 67760
 Mangalore - 93797 41352
 Nagpur - 93250 45410

New Delhi - 93131 99044
 Patna - 93219 76557
 Pune - 93245 30710
 Raipur - 93524 40068
 Ranchi - 93044 95570
 Surat - 93270 97410
 Vadodara - 93756 41357
 Visakhapatnam - 93463 34102