



VERTICAL STORING DOCK LEVELERS

Environmental Control, Food-Grade and Cold Storage Series



GANDHI
Automations Pvt Ltd

India's **No.1** Entrance Automation & Loading Bay Equipment Company

Vertical Storing Radius Lip Dock Levelers - VSRDL

Environmental Control, Food-Grade and Cold Storage Series



The VSRDL Model - Vertical Storing Radius Lip Dock Leveler offers superior energy efficiency, security control and a smooth & effective transition between the warehouse floor and the trailer bed.

VSRDL is perfect for industries such as cold logistics as well as food, beverages, pharmaceuticals and other such applications requiring careful monitoring of temperature and environmental changes.

This model is designed to be generally positioned behind a sectional overhead door, which results in maximum energy efficiency. It also does not require a pit structure due to which thorough cleaning routines can be followed. It comes along with easy to operate controls as well as safety features making the product completely hassle-free.

*Standard dimensions in mm of the BASE types, 15t gross load.

Model	Platform Width	Platform Length	Lip Length	Pit Width	Pit Height
VSRDL 1815	1800	1500	410	1970	380
VSRDL 1821	1800	2100	410	1970	380
VSRDL 1915	1950	1500	410	2120	380
VSRDL 1921	1950	2100	410	2120	380
VSRDL 2115	2100	1500	410	2270	380
VSRDL 2121	2100	2100	410	2270	380

*Other dimensions available on request. Optional Lip length 460 & 500mm.

Vertical Storing Telescopic Lip Dock Levelers - VSTD

Environmental Control, Food-Grade and Cold Storage Series



The VSTD - Vertical Storing Telescopic Lip Dock Leveler model has a movable telescopic lip of up to 500mm in length, which provides a larger contact area between the vehicle bed and dock leveler.

This dock leveler is known for its energy savings, conformity to cleanliness routines, sanitization and safety as well as cost efficiency. These are utilized in applications such as food industry, pharmaceutical industry, climate-controlled facilities and offer great value in any application where these characteristics are desired at a superior level.

This model allows the sectional overhead doors to completely close down on to the pit (loading dock) floor, which provides the most optimum sealing.

The telescopic lip of this model provides additional benefits when compared to traditional lip leveler. In situations where the container is filled up to its maximum capacity, there may be a risk of product damage if traditional lip leveler is used. The telescopic lip leveler ensures added protection through its precise lip technology and eliminates such damages.

Other features such as sensors on the dock platform and lip, obviates the need of any mechanical limit switches, furthering the product life.

*Standard dimensions in mm of the BASE types, 15t gross load.

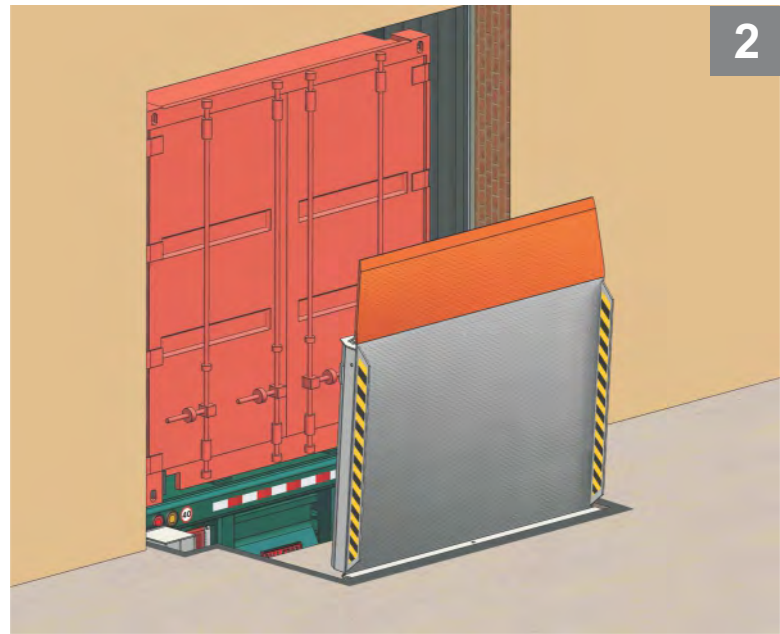
Model	Platform Width	Platform Length	Lip Length	Pit Width	Pit Height
VSTD 2115	2100	1500	500	2270	310
VSTD 2121	2100	2100	500	2270	310

*Other dimensions available on request.

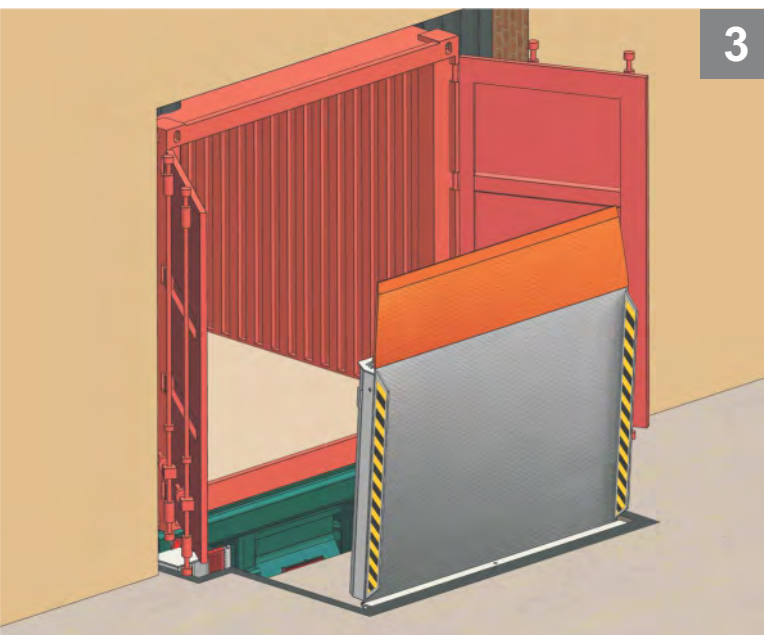
Product Application



Vertically positioned in the center, sectional overhead door to remain closed on to the dock floor, ensuring tight sealing.



Vehicle doors may remain closed until the sectional overhead door opens. The dock attendant themselves can open the trailer door when loading & unloading begins.



The dock attendant may now open the trailer doors, position the dock leveler through easy to use controls.



Loading and unloading process can now begin like any normal dock leveler, ensuring safety and efficiency.

COLD STORAGE

Effective preservation of cold chain integrity during loading and unloading processes.

Provide sealing and minimize external environment exposure, enhancing climate control inside the facility.

Maintain internal temperature conditions and eliminate fluctuation.

Ensure protection of goods, safeguard quality from the arrival of raw material to the dispatch of finished goods.

HYGIENE AND ENVIRONMENTAL CONTROL

Sectional Overhead doors remain closed on to the dock floor, ensuring tight sealing and environmental control.

Easy wash down compatibility and other cleaning routines.

Added protection of internal facility against pests, rodents and external debris.

Anti-corrosion paint finish extends the life of the product and keep the facility cleaner for a longer period.

Product Feature & Benefits



Energy efficiency and improved environmental control:

As the name suggests, these dock levelers are wisely designed to be positioned vertically on the internal area of a facility. This concept allows the sectional overhead door to be closed down completely on to the pit floor and against the pit wall sides, resulting in tight sealing. With diminished exchange of external & internal environments, there is improved environment control & heavily reduced energy loss.

The overall sealing due to the sectional overhead door closing on to the pit floor, helps minimize dust particles, pests & debris from entering and contaminating the internal environment.

Improves security:

This model is beneficial from a security perspective. By minimizing the points of entry into the internal area of the facility. The door remains closed on to the pit floor at all times, except during the loading & unloading.

Protects the overhead door from the damage due to forklift impact:

Thanks to the vertical positioning of this dock leveler, it safeguards the sectional overhead doors against the possibility of accidental vehicle impact and damage. It serves as a proper visual and physical barrier, to the personnel handling forklifts and other such vehicles inside the facility.

Facilitates easier cleaning and maintenance:

The vertical alignment of this dock leveler delivers a significant advantage when it comes to cleaning routines. It allows easy cleaning access or even complete wash-down if needed.

Tilt-away control:

These dock levelers are equipped with a tilt-away control feature which permits the leveler to be position in a slightly tilted fashion reducing the pressure of the hydraulic systems. This optimizes and enhances the lifetime of the hydraulic systems.

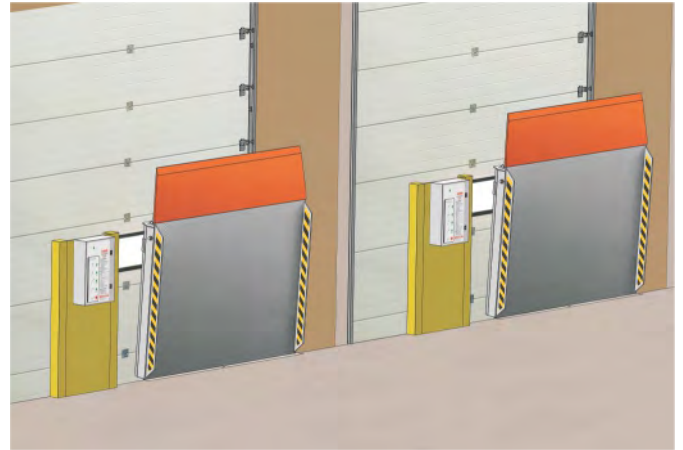
Product Feature & Benefits

Control Unit With Safety:

A metallic post is mounted right next to the Vertical Storing Dock Leveler. The hydraulic power pack and its control panel are installed on the metallic post.

The 'hold to run' push button control, makes sure that the operator is always in control of dock leveler movement.

Easy to operate Control Panel with IP65 Enclosure.



Enhance Safety:

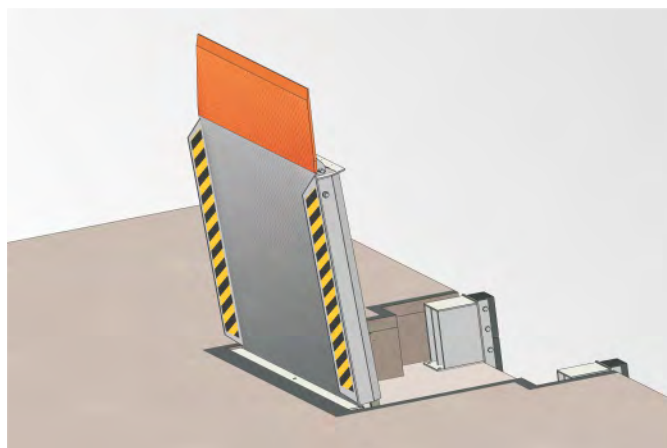
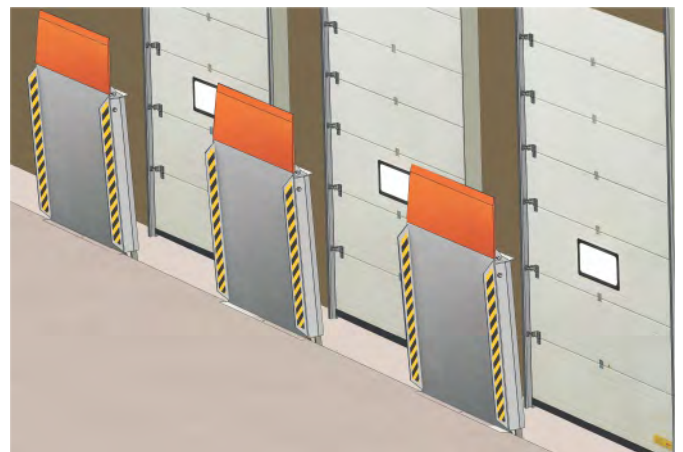
Another unique feature is the side guards on the platform of the dock levelers, which protects the personnel & material from accidental run-off of forklifts from the sides of the dock leveler.

Continuous Pit:

In this type of installation Gandhi Vertical Storing Dock Levelers are installed one after the other on the same thorough ledge or step that is built along the loading dock.

This thorough pit facilitates super easy cleaning, moping of entire area as well as enough passage for automatic sweeping machines to drive down.

Simplifies architectural design and construction and reduces cost of construction.



Individual Pit:

In this type of installation, each of the Gandhi Vertical Storing Dock Leveler is mounted at the back of a mini rectangular shaped pit allowing the pit floor to be used as storage and providing quick access for routine inspection and housekeeping.

Additional Options & Accessories



Insulated Foam Filled Pit Seal For VSRDL



Laminated Bumper with Riser



Impact Series Bumper

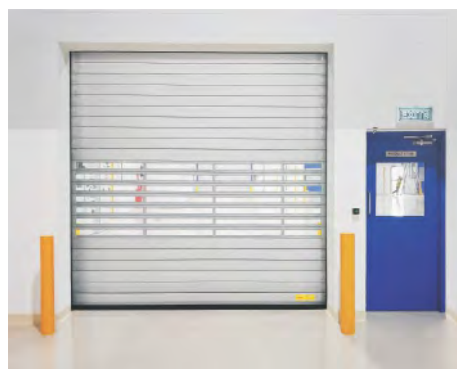
Recommended Products For Environmental Control, Cold Storage & Loading Bay



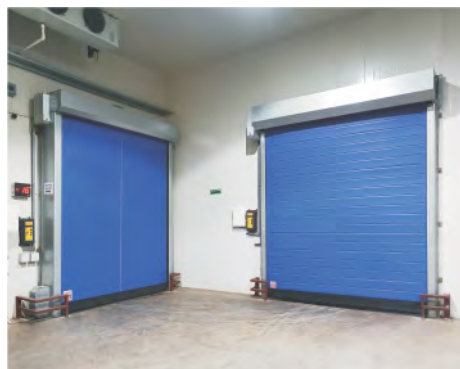
Inflatable Dock Shelters



Sectional Overhead Doors



High Speed Doors (Prime Metallic)



High Speed Doors (Prime Freezer DUO / Prime Freezer)



High Speed Doors (Prime Food)



High Speed Door (Prime Clean Reset)



Cold Storage Doors



Wheel-Block Vehicle Restraint System



Safety Truck Lock (Manual & Motorised)



STAR EXPORT HOUSE
(Government of India Recognised)



Gandhi Automations operates a policy of continuous development and reserves the right to make technical modifications / replacements without prior notice.

GANDHI

Automations Pvt Ltd

India's No.1 Entrance Automation & Loading Bay Equipment Company

CORPORATE OFFICE

Chawda Commercial Centre, Link Road, Malad (W), Mumbai-400064, India

Tel : +91 22 6672 0200 / 6672 0300 (200 Lines)

Fax : +91 22 6672 0201

Email : sales@geapl.com

Website: www.geapl.com



TOLL FREE

1800 209 0200

From Anywhere in India

Ahmedabad - 93273 01555
 Bengaluru - 93435 09090
 Bhopal - 93292 94939
 Bhubaneswar - 93385 69889
 Chandigarh - 93176 41324
 Chennai - 93809 31777
 Coimbatore - 93452 99944
 Goa - 93731 37970
 Guwahati - 93248 98159

Hyderabad - 93473 75737
 Indore - 93034 64410
 Jaipur - 93520 41024
 Jamshedpur - 93219 76556
 Kochi - 93882 04774
 Kolkata - 93300 60855
 Lucknow - 93055 67760
 Mangalore - 93797 41352
 Nagpur - 93250 45410

New Delhi - 93131 99044
 Patna - 93219 76557
 Pune - 93245 30710
 Raipur - 93524 40068
 Ranchi - 93044 95570
 Surat - 93270 97410
 Vadodara - 93756 41357
 Visakhapatnam - 93463 34102